



CITY LINE



Show your natural commitment



YOU CARRY  
WE CARE

## VECTOR CITY range



- Standard mounting
- Low fuel consumption
- Piek compliant

### VECTOR 1550 CITY, PIEK CERTIFIED UNIT FOR NIGHT DELIVERIES

Generating a noise level below 60 decibels and benefiting from standard installation, the Vector 1550 City uses the same mounting points and front wall opening as a standard trailer unit. The installation process therefore remains the same as for other units of the Vector range, with no specific chassis work required.



### GROWING ENVIRONMENTAL CONCERNS IN URBAN AREAS

Municipalities across Europe are addressing the issues of increasing traffic congestion, air pollution and noise disturbance in crowded residential areas.

As regulation is getting tougher (Low Emission Zones, Piek certification), Carrier Transicold answers with the **CITY LINE** - a comprehensive and innovative line of best-of-breed, environmentally-friendly solutions specifically designed to help eco-responsible transport professionals meet the rigors of doing business in urban areas.

Certification for products under 60 dB(A)



## SUPRA CITY range



- Skin reducing acoustic waves
- Acoustic absorb material
- Piek compliant

### SUPRA CITY, BUILDING ON VECTOR EXPERIENCE FOR QUIET DELIVERIES

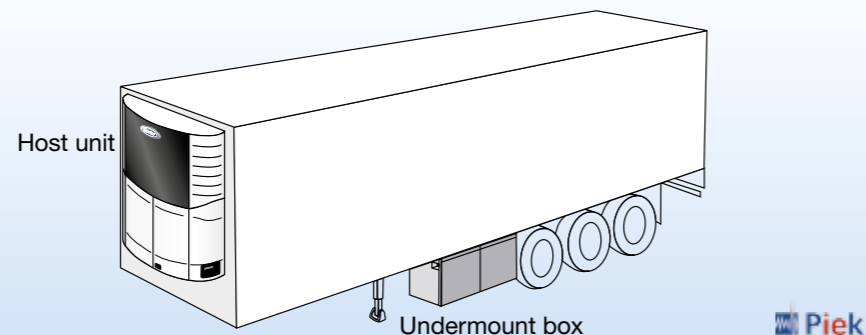
Certified Piek compliant, Supra City offers full flexibility for quiet deliveries and efficient supply chain. Available in single or multi temperature version, Supra City benefits from the same cold chain performance and reliability features of the standard Supra range.



- Multi temperature
- High containment
- Piek compliant

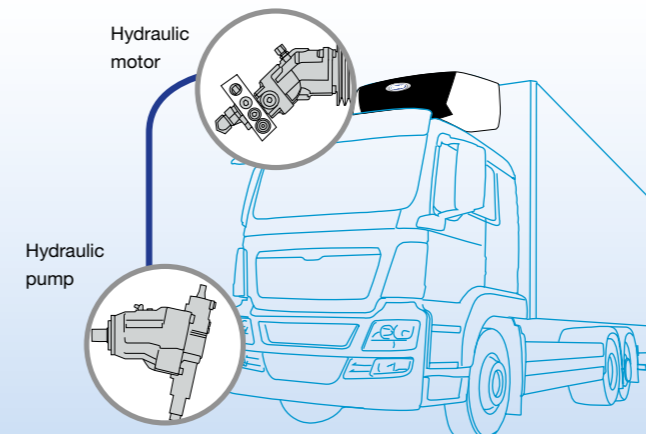
### VECTOR 1950 CITY, FEATURING MULTI-TEMPERATURE

Vector 1950 City has also been certified Piek compliant, Europe's most stringent noise abatement standard. Vector 1950 City offers the same benefits as Vector 1550 City for transporters, retailers, bodybuilders, drivers and the general population, enabling night deliveries and overcoming many of the challenges of distribution in urban or sensitive areas, notably in terms of efficient supply chain, noise, traffic congestion, road security, and pollution.



### SUPRA CITY Z, ZERO-ENGINE REFRIGERATION UNIT

Supra City Z meets the needs of transporters that distribute temperature-sensitive goods in urban or Low Emission Zones, and who are eager to reduce their environmental impact without compromising on cold chain protection. By removing the diesel engine, the Supra City Z unit derives its power from a hydraulic pump directly connected to the truck engine's Power. Take Off (PTO) to drive a hydraulic engine placed inside the refrigeration unit.



- Emissions reduction
- Insulation equipment for low noise
- Constant cooling capacity

## TOGETHER WITH A NETWORK OF EXPERTS

To answer to each and every one of your individual needs efficiently, we've developed a full range of services.



### LARGE NETWORK

Put your fleet in the hands of professionals. Using the latest equipment, 2000 fully trained technicians across 600 service centres are ready to keep your fleet on the road. We'll assist you wherever you are, 24 hours a day.

### QUALITY PARTS

The right parts at the right time. Rely on Carrier Genuine Performance Parts and you can be confident your fleet benefits from the best quality, availability, choice and cost efficiency.

### ON CONTRACT

Plan ahead for peace of mind. Our everCOLD contract ensure your equipment is always operating at maximum efficiency.



		SUPRA 1250 CITY**	SUPRA 1250 MT CITY**	SUPRA 1000 CITY Z	SUPRA 1000 MT CITY Z	VECTOR 1550 CITY**	VECTOR 1950 MT CITY**
COOLING CAPACITY ROAD (Watts)	0°C/+30°C	8 300	6 600	11 100	11 400	12 000	14 500
	-20°C/+30°C	5 200	4 700	6 600	6 800	6 700	9 100
COOLING CAPACITY STAND BY (Watts)	0°C/+30°C	7 900	7 900	6 900	9 500	12 600	13 700
	-20°C/+30°C	5 700	5 700	5 550	5 000	7 000	9 450
HEATING CAPACITY (Watts)		3 900	depending on evaporator	3 950	depending on evaporator	5 000	depending on evaporator
AIRFLOW (m³/h)		3 300	depending on evaporator	2 700	depending on evaporator	4 600	depending on evaporator
WEIGHT (Kg)		644	593*	525	481*	751	681 Undermount box: 540
DIMENSIONS (mm)		1995 x 971 x 699	1995 x 971 x 699	1995 x 971 x 699	1995 x 971 x 699	2050 x 430 x 2347	2050 x 430 x 2347 Undermount box: 1500 x 540 x 800
SOUND PRESSURE (dB(A))		58.6	58.4	63	63	60	60

\* Condenser section only

\*\* Low speed mode



600 Carrier service stations in Europe, Russia, Middle East and Africa

Carrier Transicold Europe S.C.S.  
L'Européen Bâtiment D  
4 rue Joseph Monier  
F-92500 Rueil-Malmaison  
Phone : +33 (0)1 41 42 28 00  
Fax : + 33 (0)1 41 42 28 28  
[www.carriertransicold.eu](http://www.carriertransicold.eu)